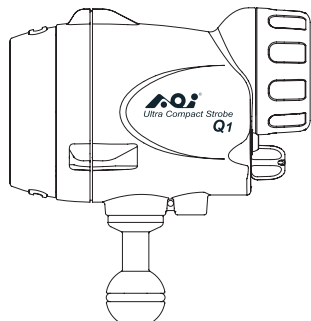


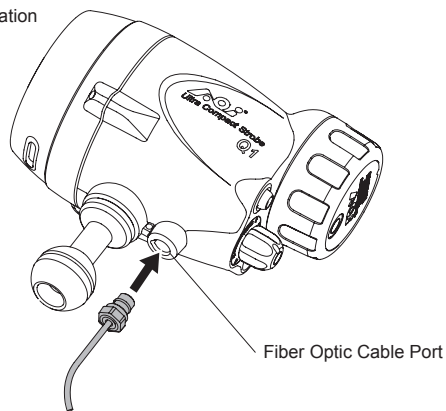


AOI Underwater Ultra Compact Strobe Q1 User Manual



- 1 -

b. Optical Cable Installation



Plug the Optical Cable into Q1 Fiber Optic Cable Port and the other end to the camera housing.

- 4 -

Modeling Flash

Press and hold Right Button for one second will give a short time high frequency Modeling Flash. Flashes will keep going until button release or capacitor's power gone.

Flash Trigger Signal Auto Learning

Whenever turn on Q1, the 1st flash trigger signal will be learnt and stored to the memory.

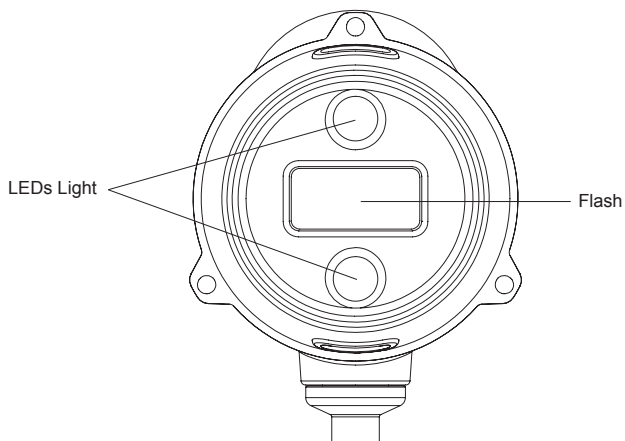
Auto Standby

If the Flash Power Control Knob is at the level 1 to 7 and flash has not been triggered for more than 15 minutes, Q1 will enter into standby mode. Flash charging will be suspended. When flash is in standby mode, the Left Indicator will have slow BLUE blinking. Operate any button, knob or trigger to reset from the Standby Mode. At Standby mode, LEDs light can continue working independently.

Auto Power Off

When the LEDs light is off or no flash has not been triggering for more than 2 hours, Q1 will be Power Off automatically. Flash can only be Power On again manually.

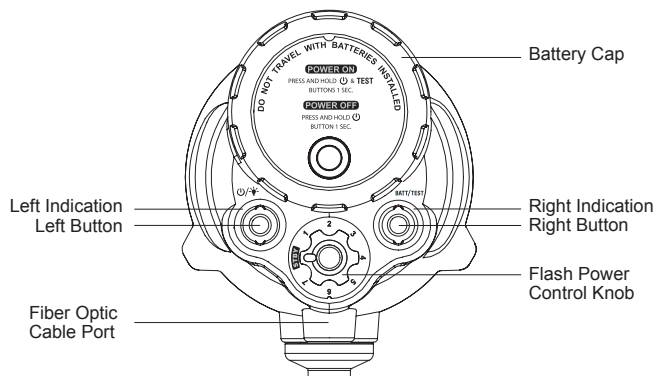
- 7 -



- 2 -

Power On / Off

Press and hold Left & Right Buttons one second to Power On Q1.
Press and hold Left Button one second to Power Off Q1.



- 5 -

Battery Indicator Summary

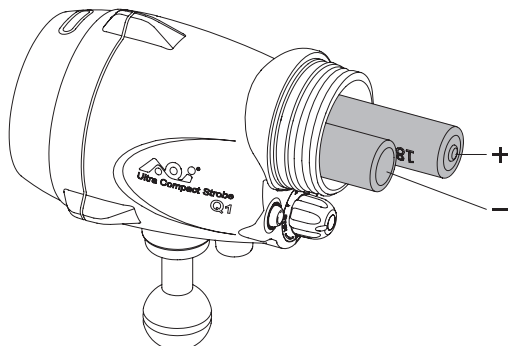
Table 1

| LED Indicator Status | Battery Level |
|----------------------|---------------|
| Green | 50% ~ 100% |
| Yellow | 25% ~ 50% |
| Red | 10% ~ 25% |
| Red flash | 10% below |

- 8 -

Installation

a. Batteries Installation



To install the batteries, take off the Battery Cap and put in the batteries with the correct polarity as indicated in the battery chamber.

- 3 -

Battery Power Level

When Q1 is power on, the Right Indicator shows the power level of the battery. Refer to Battery Indicator Summary on page 8 table 1.

Flash Power Control Knob

The Flash Power Control Knob has 7 power levels. If it is in STBY position, the flash function turns off and Flash will stop charging. If it is in level 1 to 7, the Flash will start charging and the Left Indicator will blink BLUE quickly. When Flash is fully charged, the indicator will go solid BLUE.

Level 1 is in the lowest flash power and level 7 is in full power. Refer to Left Indicator Summary on page 9 table 2.

LEDs Light

In the Power-On state, press the Left Button to switch through LEDs light into difference power levels (25%-50%-100%-light off).

Test Flash

When press the Right Button, a flash is given according to the power setting on the Flash Power Control Knob.

- 6 -

Left Indicator Summary

Table 2

| Left Indicator color | Signal Pattern | Status |
|----------------------|----------------|-----------------------------|
| Blue | Solid light | Flash Capacitor Charge full |
| Blue | Quick flashing | Flash Capacitor Charging |
| Blue | Slow flashing | Flash Stand by |

- 9 -