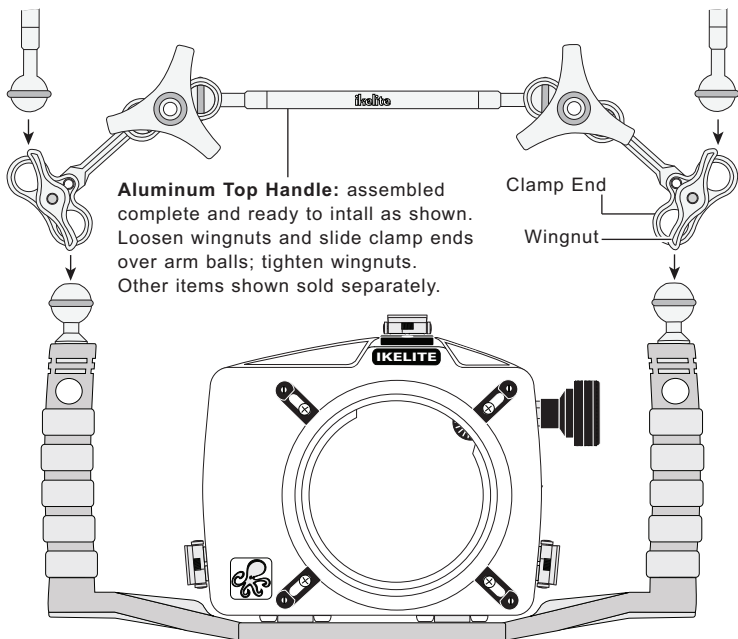




# 4080.03 Aluminum Top Handle for Digital and DSLR

## Instruction Manual



**Aluminum Top Handle:** assembled complete and ready to install as shown. Loosen wingnuts and slide clamp ends over arm balls; tighten wingnuts. Other items shown sold separately.

Clamp End

Wingnut

## Included in Kit

This kit includes (2) ball clamps with auxiliary mounts, (2) auxiliary ball mounts, (2) ball clamps for lightweight accessories and a 7-inch ball arm. The unique slotted ball arm doubles as both a handle and a mounting location for additional lighting, or a 67mm threaded lens holder.

Aluminum components are made with Type III hard anodization.

Aluminum Top Handle works with dual handle trays for Compact Digital or DSLR housings with two lighting arms attached.



**Ikelite Underwater Systems**  
**50 West 33rd Street**  
**Indianapolis, IN 46208 USA**

**[www.ikelite.com](http://www.ikelite.com)**

© 2015 Ikelite Underwater Systems

4080.03\_Top\_Handle\_Digital\_and\_DLSR\_1-0215