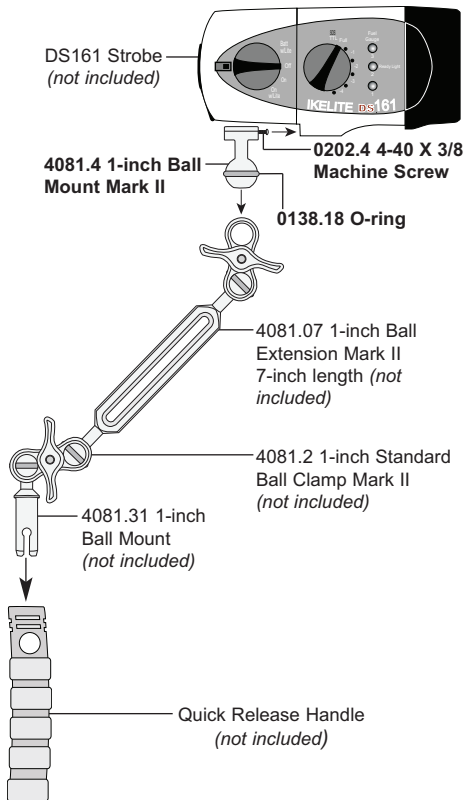




4081.4 1-inch Ball Mount Mark II for DS51, DS125, DS160, DS161 Strobes

- This Mount attaches to DS50, DS51, DS125, DS160 or DS161 strobes and is designed for attachment to 1-inch diameter ball arms from Ikelite, TLC, Ultralight, Nauticam, and others. Requires a compatible 1-inch Ball Clamp, sold separately.

- To attach to your strobe, remove small screw, slide into strobe mount, and reattach screw. DO NOT overtighten.



Spare Parts

- 0138.18 1-inch Ball O-ring
- 0202.4 4-40 X 3/8-inch Machine Screw

Limited Warranty

This Ikelite product is warranted against any manufacturing defects for a period of one (1) year from the original date of purchase. Defective products should be returned to Ikelite postage paid. Ikelite will, at its sole discretion, repair or replace such products, and will return to customer postage paid. All other claims of any nature are not covered. Except as mentioned above, no other warranty expressed or implied applies to this Ikelite product.



**Ikelite Underwater Systems
50 West 33rd Street
Indianapolis, IN 46208 USA**

www.ikelite.com

© 2014 Ikelite Underwater Systems