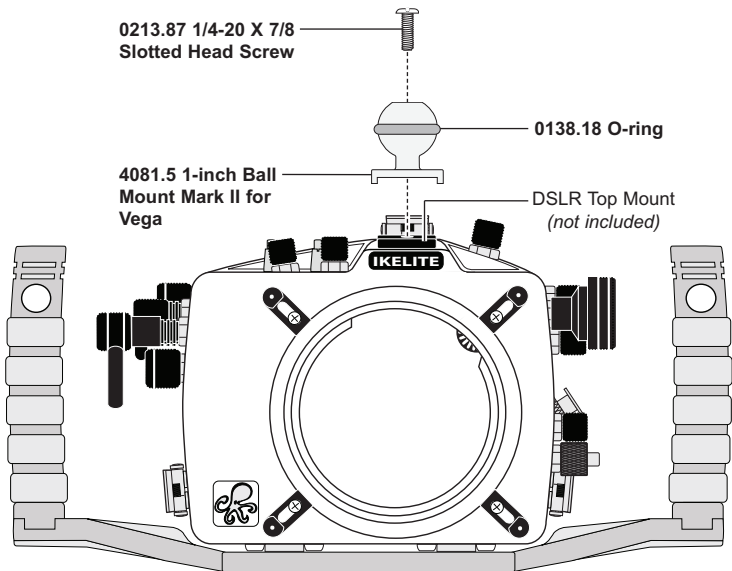




4081.6 1-inch Ball Mount Mark II for DSLR Top Mount

- This Ball Mount attaches to the top of an Ikelite DSLR featuring 1/4-20 Top Mount for attachment to 1-inch diameter ball arms from Ikelite, TLC, Ultralight, Nauticam and others. Requires a compatible 1-inch Ball Clamp, sold separately.
- To attach to your Ikelite DSLR housing, place the Ball Mount over the DSLR Top Mount as shown. Place the Screw into the Ball Mount and tighten using a flathead screwdriver. **DO NOT** overtighten.

Bolded items included in package



Spare Parts

- 0138.18 1-inch Ball O-ring
- 0213.87 1/4-20 X 7/8 Slotted Head Screw

Limited Warranty

This Ikelite product is warranted against any manufacturing defects for a period of one (1) year from the original date of purchase. Defective products should be returned to Ikelite postage paid. Ikelite will, at its sole discretion, repair or replace such products, and will return to customer postage paid. All other claims of any nature are not covered. Except as mentioned above, no other warranty expressed or implied applies to this Ikelite product.



**Ikelite Underwater Systems
50 West 33rd Street
Indianapolis, IN 46208 USA**

www.ikelite.com

© 2014 Ikelite Underwater Systems