



4081.21 1-inch Ball Clamp Mark II for Lightweight Accessories

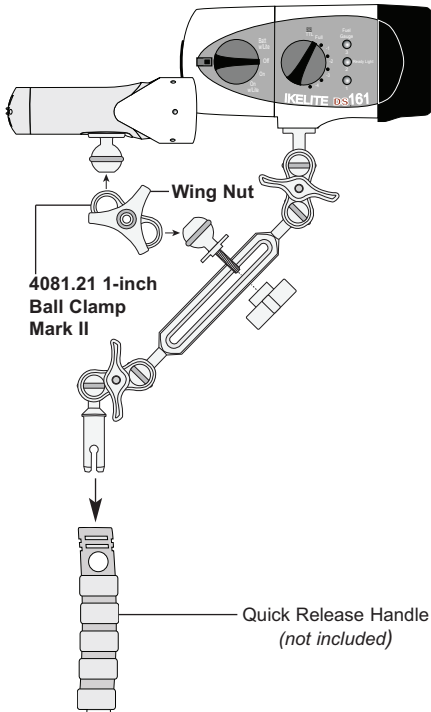
The 4081.21 Accessory Clamp attaches two (2) 1-inch diameter balls. Plates are spring-loaded for easy assembly and breakdown of your arm system.

Attaches to 1-inch ball clamps from Ikelite, TLC, Ultralight, Nauticam, and others. To attach, turn the Wing Nut counterclockwise, fit each Clamp end over a 1-inch ball, then turn Wing Nut clockwise to desired tightness.

Old and new Ikelite 1-inch balls and clamps are interchangeable.

Ball components with an o-ring groove should have an o-ring installed at all times.

Bolded items included in package



Limited Warranty

This Ikelite product is warranted against any manufacturing defects for a period of one (1) year from the original date of purchase. Defective products should be returned to Ikelite postage paid. Ikelite will, at its sole discretion, repair or replace such products, and will return to customer postage paid. All other claims of any nature are not covered. Except as mentioned above, no other warranty expressed or implied applies to this Ikelite product.



**Ikelite Underwater Systems
50 West 33rd Street
Indianapolis, IN 46208 USA**

www.ikelite.com

© 2014 Ikelite Underwater Systems