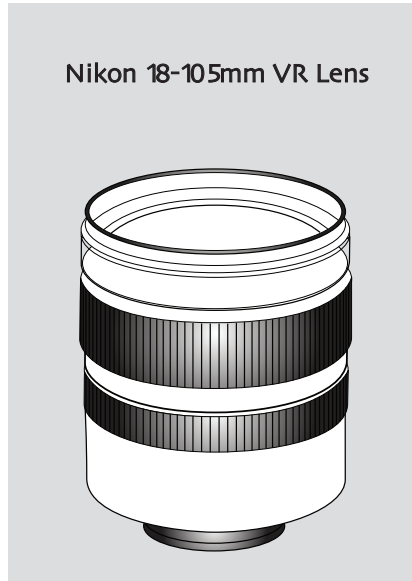


Ikelite Zoom Clamp/Sleeve installation instructions

for



Installation Procedure

1. Install your Nikon camera and lens in your Ikelite housing.
2. Remove the lens from the camera body, using the Ikelite housing control located on the side of the housing.
3. Place the clear plastic Gear Sleeve #5509.18 into the port opening (Fig A).
4. Make sure that the Black Housing Gear teeth mesh properly with the Gear Sleeve teeth.

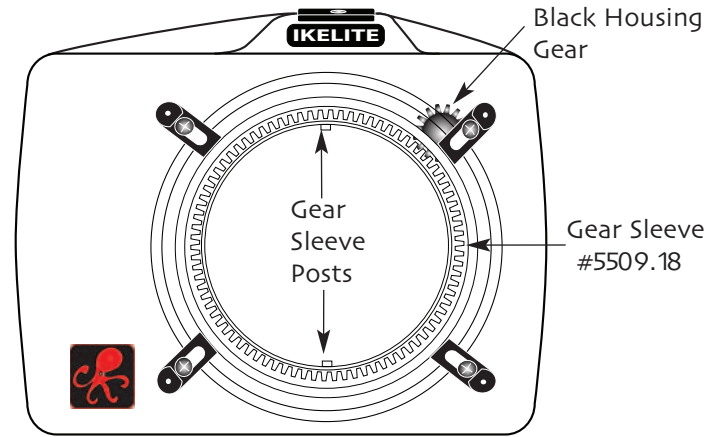


Figure A

2

Installation Procedure (cont.)

5. Attach the #9059.9 Black Zoom Clamp (included with all Ikelite DSLR housings), to the lens as shown (Fig. B).
6. Lower the lens into the housing opening. Make sure to line up the Black Zoom Clamp Grooved Tabs with the Gear Sleeve posts (Fig. B).
7. The clamp and springs will NOT slide into the Gear Sleeve. Due to the lens diameter, the clamp must be seated on the lens barrel ABOVE the top of the gear sleeve (Fig. C, Page 4). Only the Grooved Tabs below the Clamp body will slide into the Gear Sleeve Posts.
8. Rotate the lens counter-clockwise until it locks into the camera body (Fig. C, Page 4).

9. Make sure the Gear Sleeve teeth and Black Housing Gear are meshed properly, and then install the housing port. Check function using the housing zoom control knob.

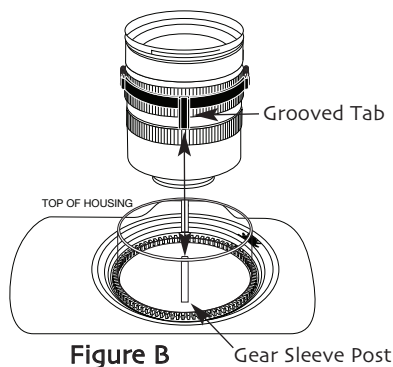


Figure B

3

Installation Procedure (cont.)

Zoom Clamp and Sleeve properly installed

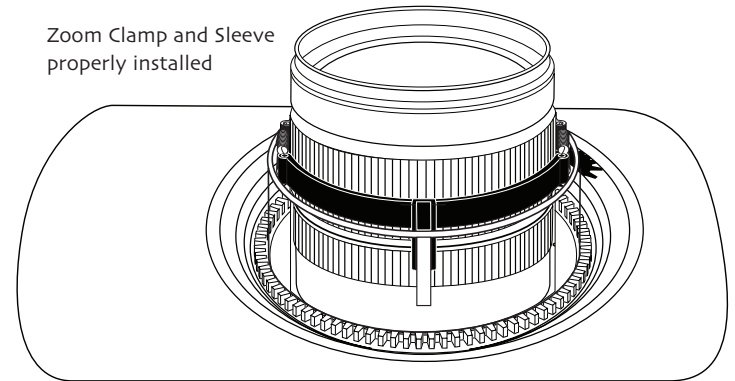


Figure C



Ikelite Underwater Systems
50 W 33rd Street
Indianapolis, IN 46208 USA

When returning products send "attn. Repair Dept."

"general questions" e-mail: ikelite@ikelite.com
www.ikelite.com
317-923-4523

Go to www.ikelite.com for complete product and accessory info.

Nik18-105installguide-5509.18-02-0410

4