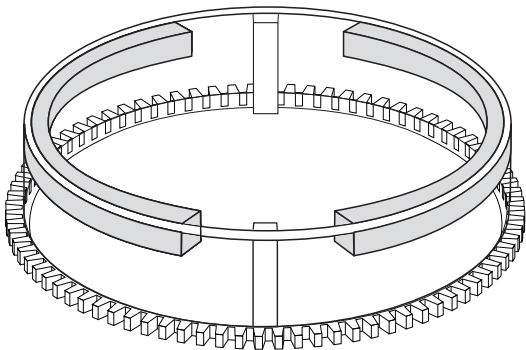




5509.20 Zoom Sleeve (Canon 10-18mm STM)

Instruction Manual



Thank you for choosing Ikelite equipment. Please read this instruction manual completely before attempting to operate or dive with this product.

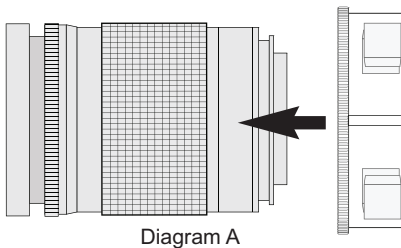
A special zoom sleeve for use with the Canon 10-18mm STM lens when used with the Canon EOS 100D Rebel SL1 in our Compact DSLR Housing. The full zoom range of the lens is accommodated by the housing's standard dome port without vignetting (dark shadows in the corners of the image).

Included in Box

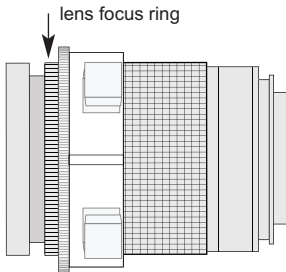
- Zoom Sleeve for Canon 10-18mm STM Lens

Installing Zoom Sleeve

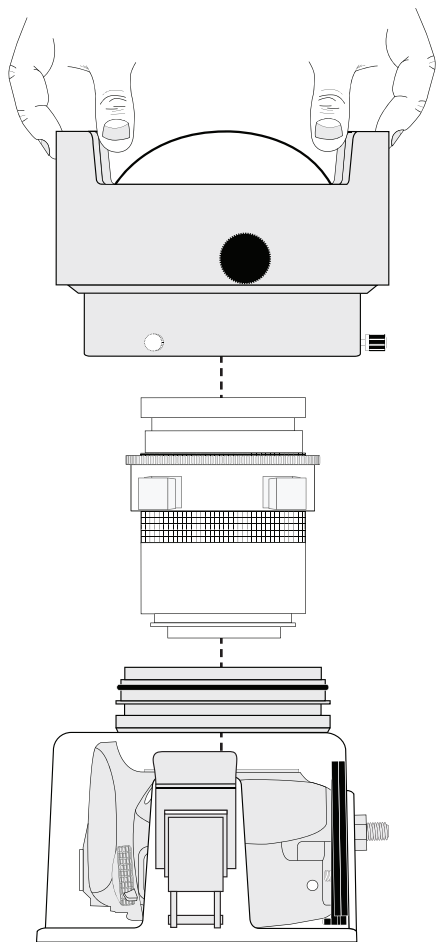
1. Install camera body into the housing without the Canon 10-18mm lens.
2. Slide the Zoom Sleeve onto the lens as shown in diagram A.



3. Slide the Zoom Sleeve forward until the front edge aligns with the focus ring of the camera lens.



4. Insert camera lens through front port opening and align with lens mounting indicator on the camera body. Rotate lens clockwise until lens locks into place.
5. Housing port can now be installed and secured as per housing instructions. The full zoom range of the lens is accommodated by the housing's standard dome port without vignetting (dark shadows in the corners of the image).



Returning Products for Service

Ikelite products may be returned directly to the factory for service. No advance notice or return authorization is required to obtain service. All shipments must include a brief cover letter stating your name, shipping address, email address, telephone phone number, and brief description of the work request. Please also include a copy of the original purchase receipt to obtain warranty service.

Send Postage Pre-paid to:

**Ikelite Underwater Systems
Attn: Service Department
50 West 33 Street
Indianapolis, IN 46208 USA**

No reimbursements for return freight will be issued.

Returning Products for Service (outside the United States)

For the separate international customs documentation form that you complete to accompany the shipment, please state or designate that the enclosed products were originally manufactured in the USA and are being returned to the manufacturer for repair service. Value of the equipment listed for customs purposes should be zero.

Ikelite Limited Warranty

This product is warranted against any manufacturing defects for a period of one year from the original date of purchase. Defective products should be returned prepaid to Ikelite. Ikelite will, at its discretion, repair or replace such products, and will return to customer prepaid. All other claims of any nature are not covered. Except as mentioned above, no other warranty expressed or implied, applies to this Ikelite product.



**Ikelite Underwater Systems
50 West 33rd Street
Indianapolis, IN 46208 USA**