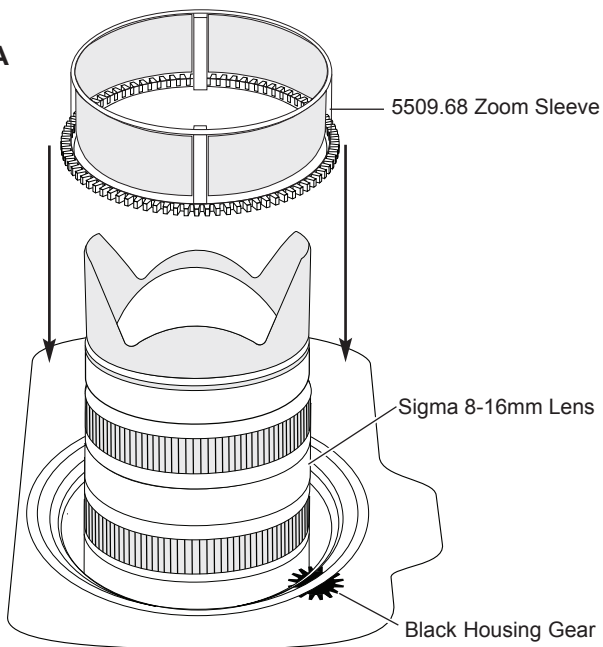




## 5509.68 Zoom Sleeve

### INSTALLATION INSTRUCTIONS for Sigma 8-16mm F4.5-5.6 DC HSM Lens

Diagram A



## **Installation Procedure**

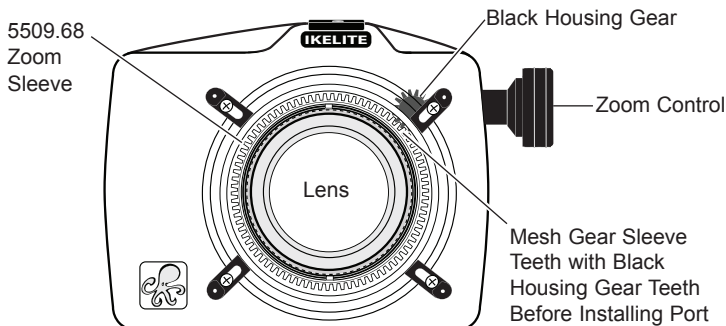
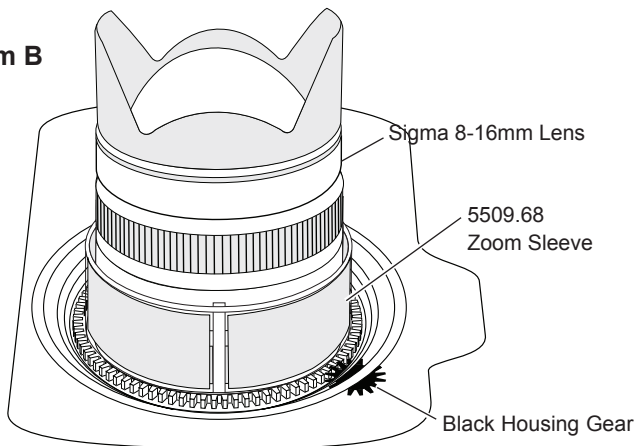
1. Install the camera and lens in your Ikelite housing.
2. Place the Zoom Sleeve over the lens and gently wiggle sleeve down the lens barrel (Diagram A, front page).
3. Push down on top of Zoom Sleeve above Black Housing Gear while rotating the housing Zoom Control (Diagram C, page 3). Rotate until Zoom Sleeve Teeth mesh with Black Housing Gear teeth (Diagram B & C, page 3).
4. Using your thumbs, gently push down around the entire top of the Zoom Sleeve perimeter until it is properly seated in the housing opening (Diagrams B & C, page 3).
5. Install housing port. Refer to your Ikelite housing manual for proper port installation.
6. Check function by rotating housing Zoom Control (Diagram C, page 3).

## **Detachment Procedure**

1. Remove housing port.
2. Depress camera lens release button using housing control. Refer to your Ikelite housing manual for proper port installation.
3. Rotate lens counterclockwise off camera and gently wiggle Zoom Sleeve up lens barrel to remove.
4. Reattach lens to camera.

# Lens and Zoom Sleeve properly installed

## Diagram B



## Diagram C



**Ikelite Underwater Systems  
50 West 33rd Street  
Indianapolis, IN 46208 USA**