



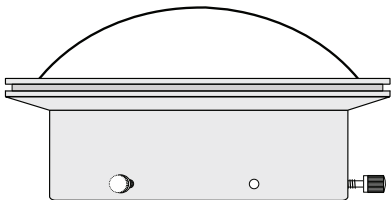
5516.12 Compact DSLR Dome Port for Tokina 10-17mm lens Instruction Manual

Thank you for your purchase of Ikelite equipment. Please read this instruction manual completely before attempting to operate or dive with this product. Please refer to the back page of this manual to register your Ikelite product.

The **5516.12 Dome Port** is designed for the Tokina 10-17mm lens when used with an Ikelite compact DSLR housing. This port positions the dome properly for sharp images at the 10mm setting without vignetting.

The lens zoom function is not available in this installation.

5516.12 Dome Port



What's in the Box

- Dome Port
- Neoprene Cover
- Spare Thumb Screws
- Silicone Lubricant 1cc Tube

Removing an attached Port

If no existing port is attached to your housing, go to **Compact DSLR Dome Port Installation, page 4**.

No tools are needed to remove an existing Port and attach the optional Compact DSLR Dome Port to your housing.

1. Three Thumb Screws secure the Port on the Base. Turn each Thumb Screw counterclockwise so at least 3 to 4 threads are showing.
2. Gently lift the Port off the Port Base, **Diagram B, page 3**. If the Port seems stuck, loosen the three Thumb Screws another turn or two until the Port can be removed.
3. After the Port is removed, REMOVE the gear sleeve from the Port Base, **page 3**.


Caution:  DO NOT leave the Port off the Port Base for extended periods of time. This can result in debris being attracted to the Port Base O-ring, **Diagram B, Page 3**, resulting in a bad seal.

Diagram A

Approximately 5/32-inch or less gap will be present between the Housing Front and bottom of Port when the Dome or Flat Port is properly installed.

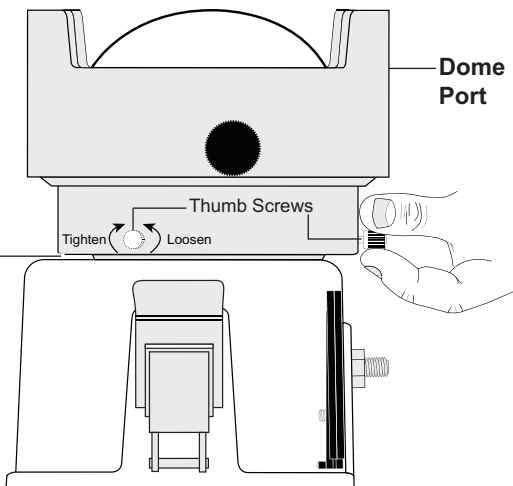
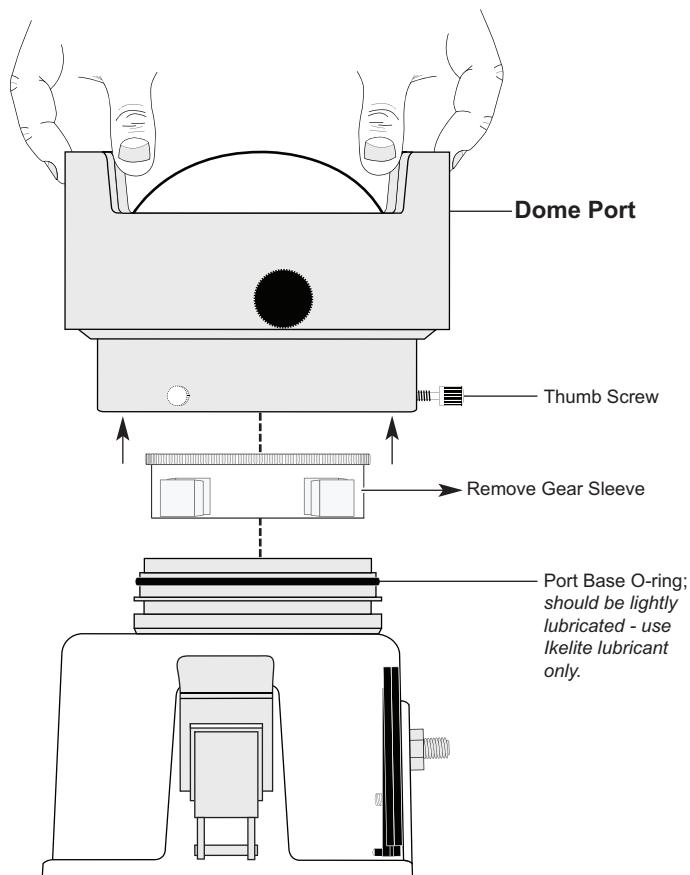


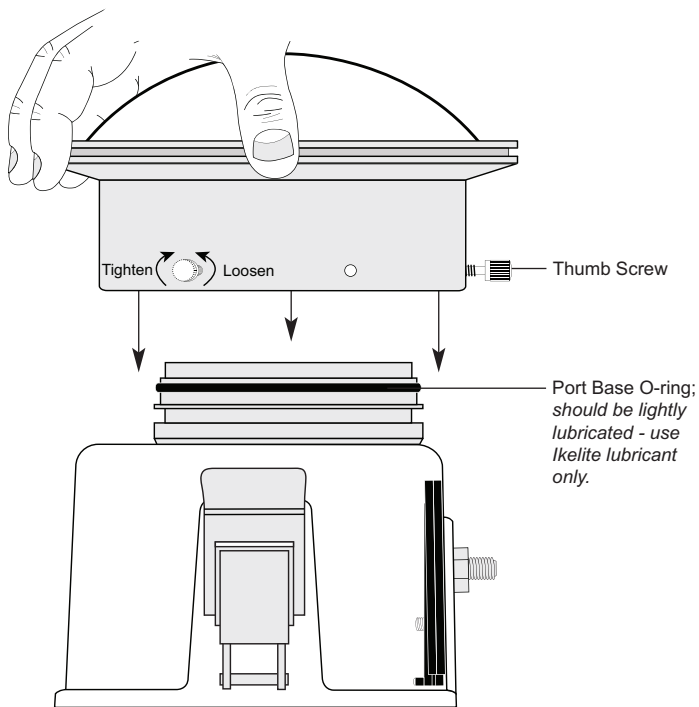
Diagram B



Compact DSLR Dome Port Installation

1. First, check to see that there is a thin film of lubricant on the Port Base O-ring, **page 3**. The o-ring should appear slick. If necessary, relubricate with the supplied Ikelite lubricant. Do not use excessive lubricant which can attract hair or other debris. Use **ONLY** Ikelite lubricant.
 2. Make sure the o-ring is free of hair or other debris.
 3. If installed, lift and REMOVE the gear sleeve from inside the Port Base. Place the Gear Sleeve in storage for later use with the Dome Port.
 4. Slide the Dome Port evenly over the Port Base until it STOPS, **Diagram C, Page 5**. When properly installed, there should only be an approximate 5/32-inch or less gap between the bottom of the Port and the front of the housing, **Diagram A, Page 2**.
 6. Snugly tighten the three thumb screws into the Port Base. DO NOT overtighten. No Thumb Screw threads will be visible once the Port is properly secured.
 7. To REMOVE, reverse procedure - see **page 2**.
- * The gear sleeve must be removed BEFORE using the Dome Port.
- * We recommend placing the closed housing in a pool or bathtub to assure proper installation and watertightness before installing your camera.

Diagram C



Spare Parts

Can be ordered through any Ikelite dealer or by calling Ikelite customer service

- 0184.2 Silicone lubricant 2cc resealable tube
- 0203.89 Thumb Screw
- 0132.36 Spare o-ring (Port Base)

Customer Support

**Ikelite Underwater Systems
Service Department
50 West 33rd St.
Indianapolis, IN 46208 USA**

Email: ikelite@ikelite.com

Phone: 317-923-4523

Limited Warranty

This Ikelite product is warranted against any manufacturing defects for a period of one (1) year from the original date of purchase. Defective products should be returned to Ikelite postage paid. Ikelite will, at its sole discretion, repair or replace such products, and will return to customer postage paid. All other claims of any nature are not covered. Except as mentioned above, no other warranty expressed or implied applies to this Ikelite product.

Returning Products For Service

Ikelite is most interested in performing any service to ensure that all products perform as intended. Evidence of purchase date must be provided to obtain warranty service.

No prior authorization is required. You may return directly to us or through your dealer. Please include a brief description of the problem, any relevant email correspondence, and/or instructions on what you want us to do. Always include name, shipping address, email address, and phone number inside of the package. Send postage paid to:

**Ikelite Underwater Systems
Attention: Service Department
50 West 33 Street
Indianapolis, IN 46208 USA**

No reimbursements for postage paid will be issued.

You may also want to insure the package.

Returning Products for Service - outside the United States

For the separate international customs documentation form that you complete to accompany the shipment, please state or designate that the enclosed products were originally manufactured in the USA and are being returned to the manufacturer for repair service. Value of the equipment listed for customs purposes should be zero.

Product Registration

Please go to ikelite.com to register your Ikelite housing within 15 days of purchase.



**Ikelite Underwater Systems
50 West 33rd Street
Indianapolis, IN 46208 USA**

ikelite.com

© 2015 Ikelite Underwater Systems

5516.12_compact_dslr_dome_tokina_10-17_01-0515