



# Mirrorless 2-inch Lens Extension

Product Number 5516.69

## Instruction Manual

Thank you for your purchase of Ikelite equipment. Please read this instruction manual completely before attempting to operate or dive with this product.

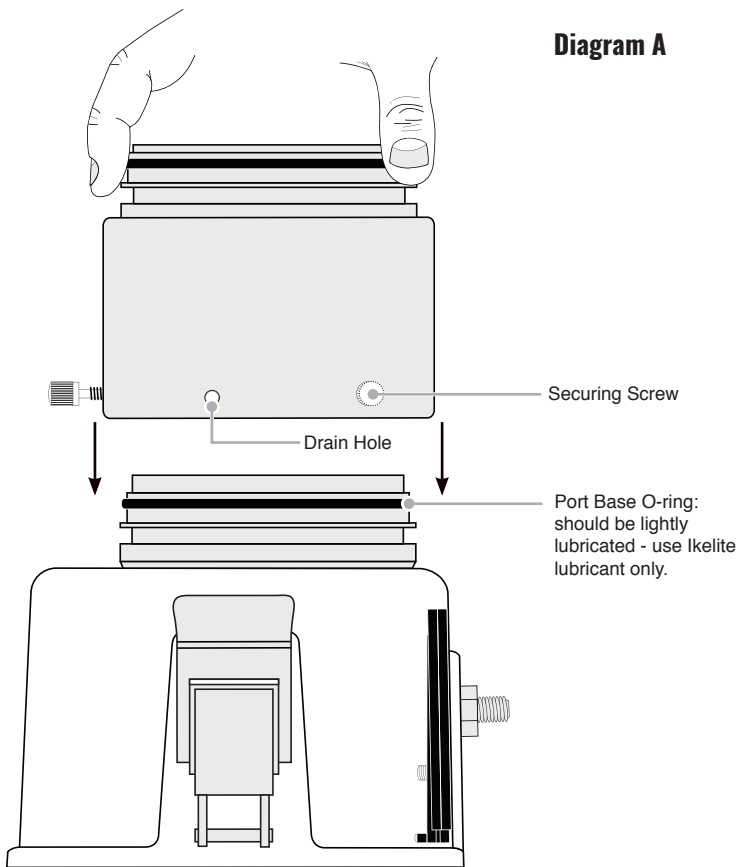
## WHAT'S INCLUDED

- Lens extension
- Securing screws
- Silicone lubricant 1cc tube

## INSTALLING THE LENS EXTENSION and PORT

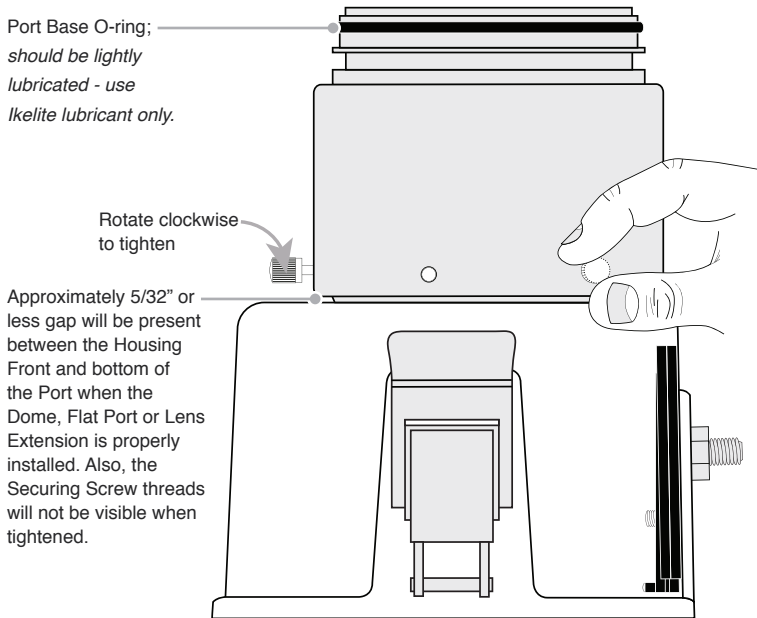
1. First, check to see that there is a thin film of lubricant on the Port Base and Lens Extension o-rings. The o-ring should appear slick. If necessary, relubricate with the supplied Ikelite lubricant. Do not use excessive lubricant which can attract hair or other debris. Use **ONLY** Ikelite lubricant.
2. Make sure the Port Base and Lens Extension o-rings are free of hair or other debris.
3. Lift and REMOVE the gear sleeve from inside the Port Base if applicable. The gear sleeve must be removed BEFORE using the Lens Extension. Place the Gear Sleeve in storage for later use.
4. Slide the Lens Extension over the Port Base until it STOPS, **Diagram A, page 3**. When properly installed, there should be an approximate 5/32" or less gap between the bottom of the Lens Extension and the front of the housing, **Diagram B, page 4**.
5. Snugly tighten the three Securing Screws into the Port Base. DO NOT overtighten. No Securing Screw threads will be visible once the Lens Extension is properly secured.
6. Slide the Port over the Lens Extension and tighten the three Securing Screws in the Port. When properly installed, the bottom of the Port will contact the top Ledge of the Lens Extension below the Lens Extension o-ring, **Diagrams C and D, page 5**.
7. Snugly tighten the Three Securing Screws into the Lens Extension. DO NOT overtighten. No Securing Screw threads will be visible once the Lens Extension is properly secured.

## Diagram A



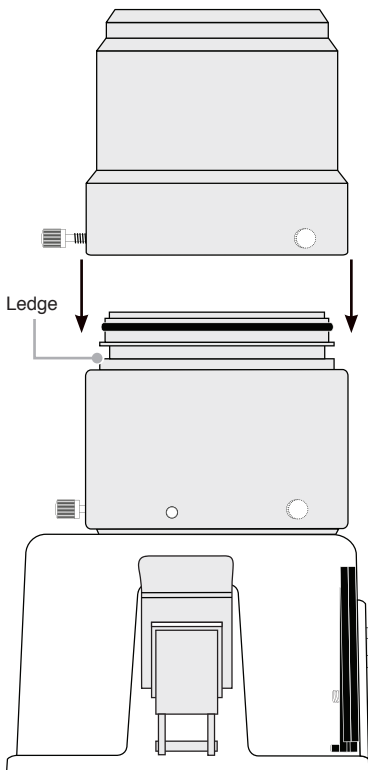
## INSTALLING THE LENS EXTENSION and PORT - continued

### Diagram B

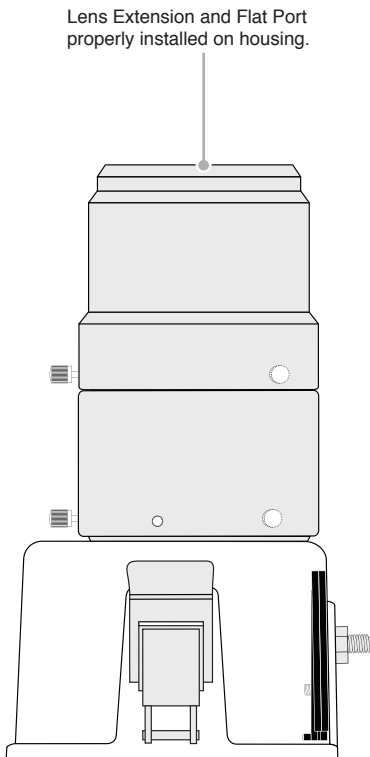


# INSTALLING THE LENS EXTENSION and PORT - continued

## Diagram C



## Diagram D



## **SPARE PARTS**

- 0184.2 Silicone lubricant 2cc resealable tube
- 0132.36 O-ring
- 0203.896-32 x 1/4" thumb screw

## **CUSTOMER SUPPORT**

Please read the troubleshooting section of this instruction manual before contacting Ikelite Customer Support.

***Ikelite Underwater Systems  
Service Department  
50 West 33rd St.  
Indianapolis, IN 46208 USA***

**Email:** [ikelite@ikelite.com](mailto:ikelite@ikelite.com)

**Phone:** 317-923-4523

## **LIMITED WARRANTY**

This Ikelite product is warranted against any manufacturing defects for a period of one (1) year from the original date of purchase. Defective products should be returned to Ikelite postage paid. Ikelite will, at its sole discretion, repair or replace such products, and will return to customer postage paid. All other claims of any nature are not covered. Except as mentioned above, no other warranty expressed or implied applies to this Ikelite product.

## **RETURNING PRODUCTS FOR SERVICE**

Ikelite is most interested in performing any service to ensure that all products perform as intended. Evidence of purchase date must be provided to obtain warranty service.

No prior authorization is required. You may return directly to us or through your dealer. Please include a brief description of the problem, any relevant email correspondence, and/or instructions on what you want us to do. Always include name, shipping address, email address, and phone number inside of the package. Send postage paid to:

**Ikelite Underwater Systems**  
**Attention: Service Department**  
**50 West 33 Street**  
**Indianapolis, IN 46208 USA**

No reimbursements for postage paid will be issued.

You may also want to insure the package.

## **Returning Products for Service - outside the United States**

For the separate international customs documentation form that you complete to accompany the shipment, please state or designate that the enclosed products were originally manufactured in the USA and are being returned to the manufacturer for repair service. Value of the equipment listed for customs purposes should be zero.



**Ikelite Underwater Systems  
50 West 33rd Street  
Indianapolis, IN 46208 USA**

**[ikelite.com](http://ikelite.com)**

© 2016 Ikelite Underwater Systems

5516.69\_Mirrorless\_Lens\_Extension\_2.0"\_1-0116