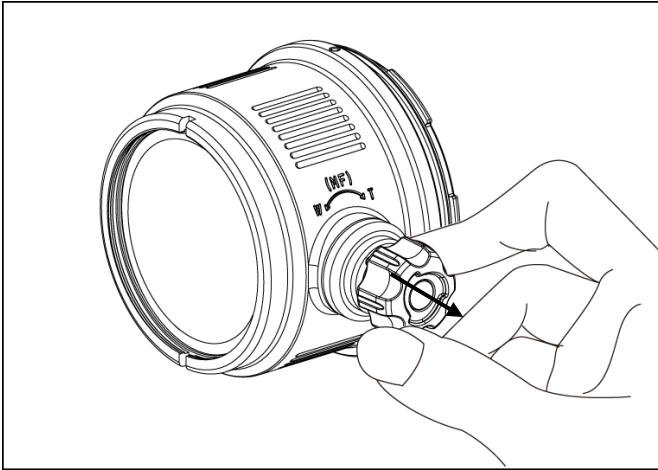


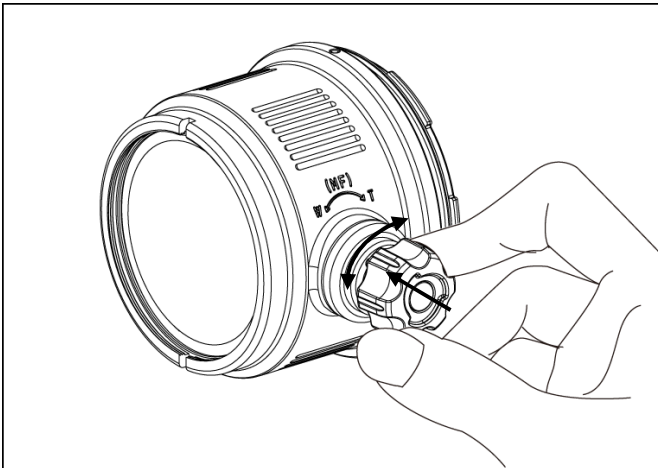
# Macro port 45 with Focus/Zoom knob

## Underwater Lens Port

Please refer to the housing manual for procedures to mount the port to the housing.



1. Make sure the control knob is at its most outwards position before mounting/ unmounting the port. The knob should be left at this position until it is made sure that the lens and focus/zoom gear is properly installed.



2. Engage the gear by pushing in the knob, then turn the knob both ways to check if the lens focuses/zooms.